

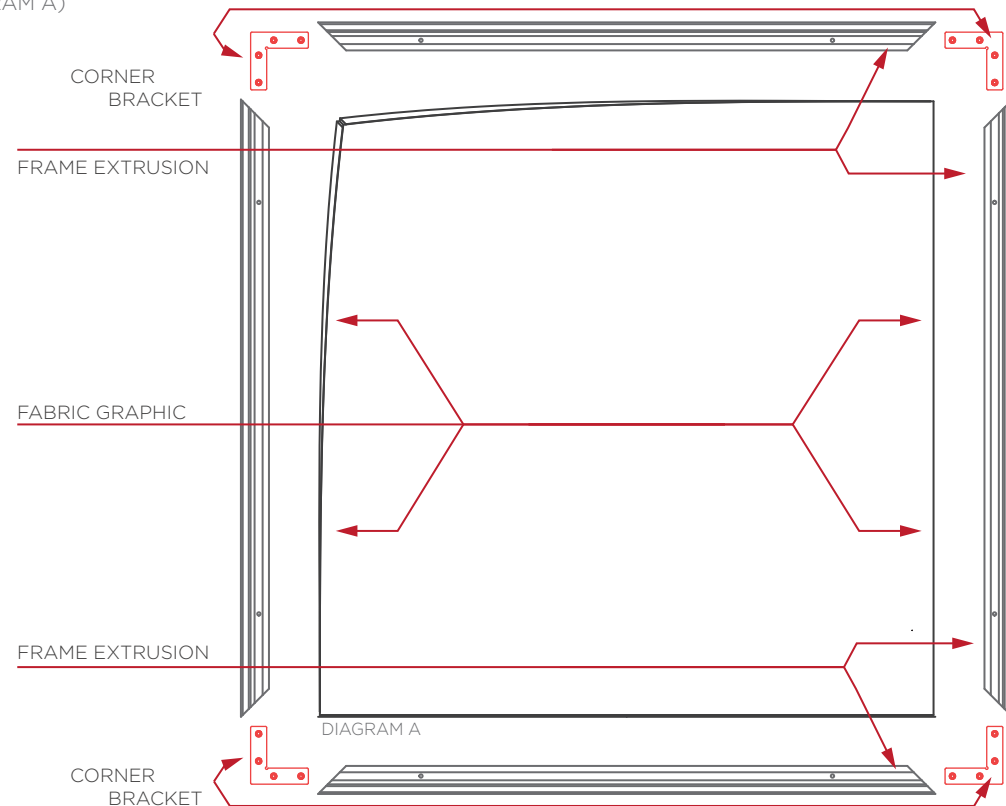
WallBrander is a lightweight, low-profile SEG Fabric graphic panel system. It has been designed and engineered to easily add vibrant artwork to any interior space. The removable SEG Fabric graphic allows artwork to be quickly replaced or changed without removing the frame from its installed position.

The WallBrander graphic system can be mounted to any common interior wall covering material, independent of the internal construction of the wall. All of the hardware needed to securely install your WallBrander graphic system is included.

NOTE: Custom Sizes are always available. Give us a call at 1-800-439-8200 for a WallBrander unique to you and your space.

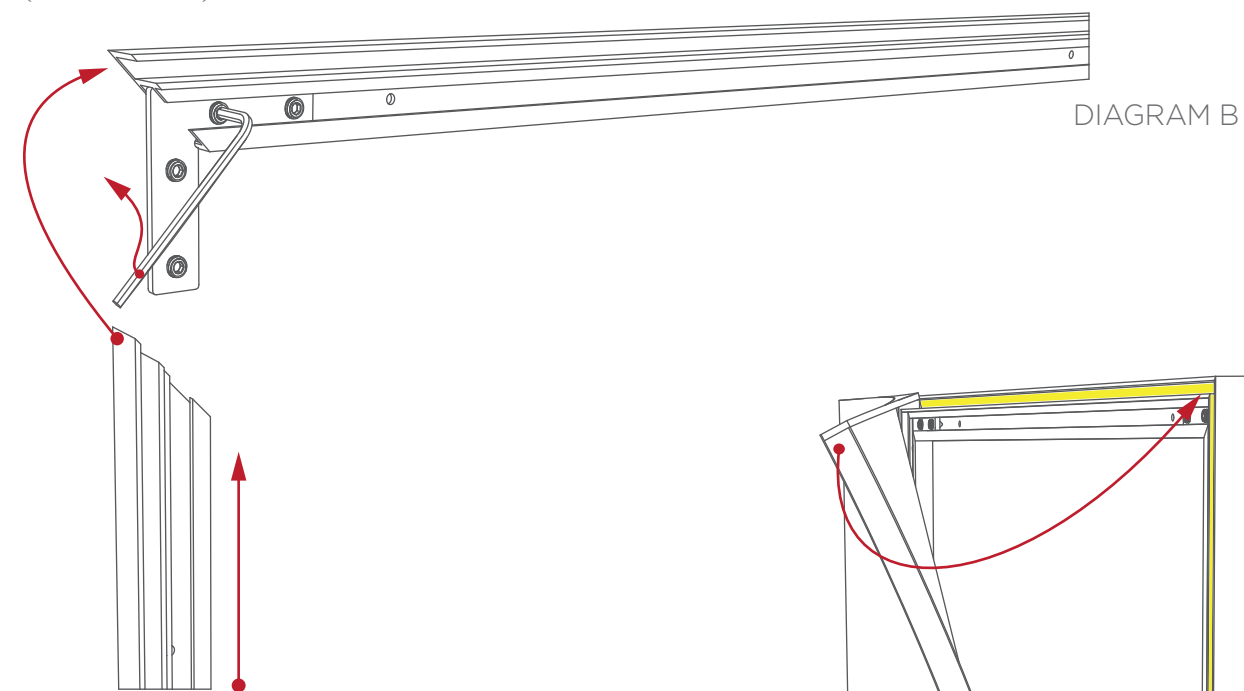
### STEP 1: PART I.D./PREPARATION

- ARRANGE FRAME EXTRUSIONS (x4) AND CORNER BRACKETS (x4) ON A CLEAN/ FLAT WORK SURFACE. (DIAGRAM A)



### STEP 2: CORNER ASSEMBLY

- LOCATE THE 3mm ALLEN KEY, THEN PROCEED TO CONNECT AND LOCK THE FRAME TOGETHER. TURN SET SCREWS UNTIL TIGHT. DO NOT USE POWER DRILL/IMPACT, TOO MUCH FORCE COULD DAMAGE CORNER BRACKETS. (SEE DIAGRAM B)



### STEP 3: FRAME MOUNTING

- MOUNT YOUR ASSEMBLED FRAME IN DESIRED LOCATION USING THE SUPPLIED HARDWARE. YOUR FRAME HAS BEEN PRE-DRILLED FOR YOU. THERE WILL BE MORE HOLES THAN HARDWARE, THE MINIMUM AMOUNT OF CONNECTIONS NEEDED FOR YOUR FRAME SIZE WILL BE DETERMINED BY THE NUMBER OF HARDWARE PROVIDED. A MINIMUM OF 4 SECURE MOUNTING POINTS IS REQUIRED FOR PROPER SUPPORT.

### STEP 4: GRAPHIC INSTALLATION

**● IMPORTANT ●**  
WEAR GLOVES TO PREVENT DAMAGE

- GENTLY UNFOLD YOUR GRAPHIC AND LOCATE THE SILICONE EDGE PORTION OF THE GRAPHIC.
- FIRMLY PRESS THE SILICONE EDGE INTO THE OUTER GROOVE OF THE FRAME. START IN EITHER TOP CORNER.
- ONCE THE FIRST CORNER IS SECURE, HOLD IT!
- THEN USE YOUR OTHER HAND TO PRESS THE SILICONE EDGE INTO THE REMAINING LENGTH OF THE EXTRUSION.
- WHEN YOU REACH THE NEXT CORNER, REPEAT ABOVE PROCESS. (DIAGRAM C)

